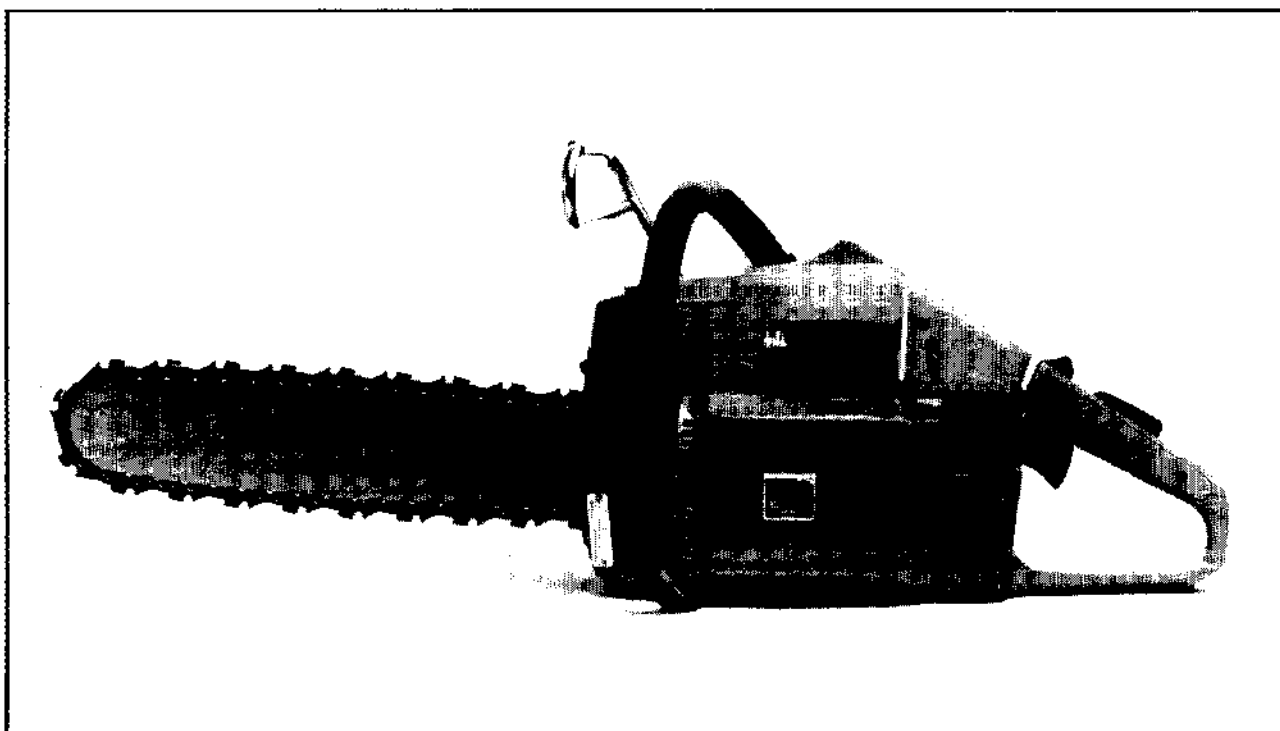


162 SE
162 SG



1. 1978

Reservdelar

Spare parts

Ersatzteile

Pièces de rechange

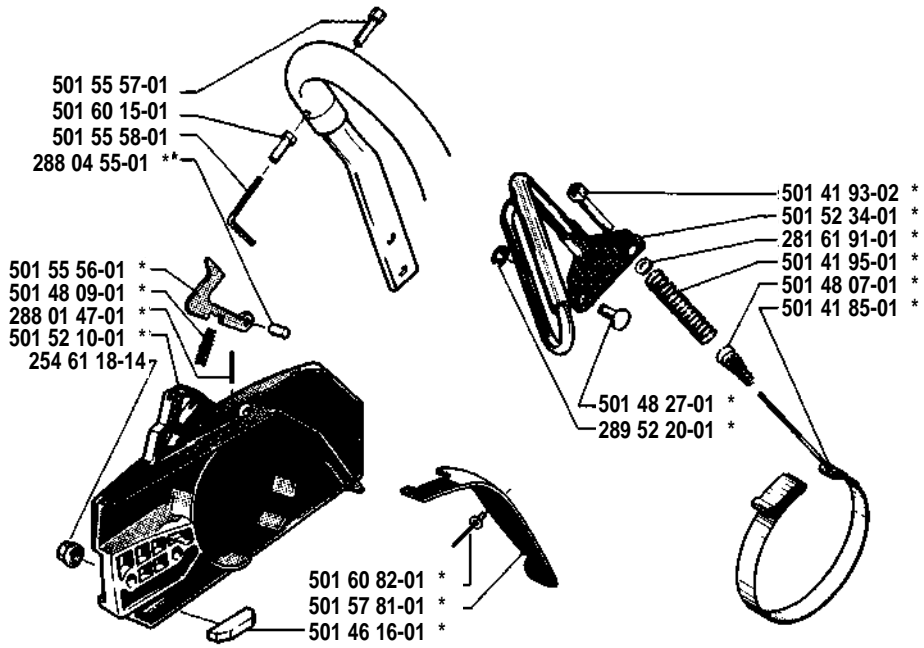
| Beställn.-nummer Part number Best. Nr No de commande | Ruta Box Viereck Carreau | Anm. Remarks Anm. Notes | Beställn.-nummer Part number Best. Nr No de commande | Ruta Box Viereck Carreau | Anm. Remarks Anm. Notes | Beställn.-nummer Part number Best. Nr No de commande | Ruta Box Viereck Carreau | Anm. Remarks Anm. Notes |
|---|-----------------------------------|----------------------------------|---|-----------------------------------|----------------------------------|---|-----------------------------------|----------------------------------|
| 50 10 564-01 | C | | 50 15 109-03 | C | | 50 15 312-01 | L | |
| 50 10 720-01 | O | | 50 15 109-04 | C | | 50 15 314-01 | F | |
| 50 10 721-01 | O | | 50 15 112-01 | C | | 50 15 315-01 | C,N | |
| 50 10 817-01 | J | | 50 15 113-01 | C | | 50 15 317-01 | N | |
| 50 10 912-01 | O | | 50 15 118-02 | D | | 50 15 318-01 | E | |
| 50 10 913-01 | O | | 50 15 119-01 | D | ★ | 50 15 353-01 | B | |
| 50 12 015-02 | K | | 50 15 120-01 | D | | 50 15 354-01 | B | |
| 50 12 017-01 | K | | 50 15 122-01 | C | ★ | 50 15 358-02 | B | |
| 50 12 166-02 | C | | 50 15 125-01 | G | | 50 15 357-01 | B | |
| 50 12 200-01 | M | | 50 15 126-01 | G | | 50 15 441-02 | G | |
| 50 12 201-01 | M | | 50 15 131-01 | G | | 50 15 558-01 | A | |
| 50 12 202-01 | M | | 50 15 132-01 | G | | 50 15 557-01 | A | |
| 50 12 203-01 | M | | 50 15 133-01 | G | | 50 15 558-01 | A | |
| 50 12 204-01 | M | | 50 15 134-01 | G | | 50 15 560-01 | K | |
| 50 12 205-01 | M | | 50 15 136-01 | G | | 50 15 566-01 | C | |
| 50 12 208-01 | M | | 50 15 137-01 | G | | 50 15 567-01 | C | |
| 50 12 209-01 | M | | 50 15 138-01 | G | | 50 15 641-01 | H | |
| 50 12 210-01 | M | | 50 15 139-01 | G | | 50 15 645-01 | E | |
| 50 12 211-01 | M | | 50 15 140-01 | G | | 50 15 761-01 | M | |
| 50 12 212-01 | M | | 50 15 148-01 | G | | 50 15 781-01 | A | |
| 50 12 213-01 | M | | 50 15 161-01 | J | | 50 15 802-01 | O | |
| 50 12 214-01 | M | | 50 15 162-01 | J | | 50 15-842-01 | H | |
| 50 12 215-01 | M | | 50 15 173-01 | H | | 50 15 953-01 | B | |
| 50 12 217-01 | M | | 50 15 178-01 | L | | 50 16 011-02 | C | |
| 50 12 220-01 | M | | 50 15 180-01 | E | | 50 16 015-01 | A | |
| 50 12 221-01 | M | | 50 15 181-01 | E | | 50 16 082-01 | A | |
| 50 12 222-01 | M | | 50 15 183-01 | E | | 50 16 084-01 | B | |
| 50 12 223-01 | M | | 50 15 187-04 | L | | 50 16 152-01 | C,N | |
| 50 12 224-01 | M | | 50 15 187-05 | L | | 50 16 186-01 | B | |
| 50 12 225-01 | M | | 50 15 191-01 | E | | 50 16 729-01 | B | |
| 50 12 229-01 | M | | 50 15 196-01 | L | | 50 16 741-01 | G | |
| 50 12 230-01 | M | | 50 15 197-01 | E | | 50 20 122 01 | M | |
| 50 12 232-01 | M | | 50 15 199-01 | G | | 50 25 075-01 | O | |
| 50 12 388-01 | M | | 50 15 200-02 | K | | 20 06 331-59 | L | |
| 50 12 509-01 | D | ★ | 50 15 201-02 | K | | 20 24 292-42 | G | |
| 50 12 579-01 | K | | 50 15 204-01 | K | | 20 24 292-39 | J,L | |
| 50 12 648-01 | K | | 50 15 207-01 | K | | 20 24 293-59 | J | |
| 50 12 685-01 | M | | 50 15 209-01 | A | | 20 24 325-59 | B | |
| 50 12 689-01 | M | | 50 15 210-01 | A | | 20 24 327-49 | H,E | |
| 50 12 690-01 | M | | 50 15 215-01 | B | | 20 24 328-59 | J | |
| 50 12 713-02 | J | | 50 15 215-05 | B | | 20 24 329-55 | H,J | |
| 50 12 737-01 | C | | 50 15 225-03 | C | ★ | 20 24 335-55 | D | |
| 50 12 763-01 | E | | 50 15 229-01 | E | | 20 24 337-55 | H | |
| 50 12 782-01 | E | | 50 15 230-01 | F | | 20 24 341-55 | D,H | |
| 50 12 859-01 | E | | 50 15 234-01 | A | | 20 41 260-52 | C | |
| 50 12 885-01 | G | | 50 15 238-01 | K | | 20 41 308-52 | B | |
| 50 12 892-01 | D | | 50 15 239-01 | K | | 20 45 180-51 | O | |
| 50 12 965-01 | H | | 50 15 240-01 | C | | 20 62 329-39 | K | |
| 50 12 966-01 | H | | 50 15 243-03 | D | | 20 63 287-11 | L | |
| 50 13 065-01 | H | | 50 15 247-01 | D | | 20 63 327-59 | K | |
| 50 14 032-02 | G | | 50 15 253-01 | L | | 21 48 113-55 | C | |
| 50 14 034-02 | G | | 50 15 253-02 | L | | 23 04 142-01 | H,L | |
| 50 14 185-01 | A | | 50 15 254-01 | J | | 23 04 201-01 | K | |
| 50 14 193-02 | A | | 50 15 255-01 | J | | 23 04 212-01 | C,N | |
| 50 14 195-01 | A | | 50 15 256-01 | J | | 25 01 269-01 | J | |
| 50 14 241-01 | E | | 50 15 257-01 | J | | 25 48 118-14 | A,F | |
| 50 14 274-01 | M | | 50 15 259-01 | J | | 25 81 132-54 | B | |
| 50 14 424-01 | O | | 50 15 261-02 | J | | 28 01 577-01 | J | |
| 50 14 442-02 | O | | 50 15 262-01 | H | | 28 16 165-01 | J,L | |
| 50 14 444-01 | F | | 50 15 266-01 | L | | 28 16 171-42 | G | |
| 50 14 445-01 | F | | 50 15 270-01 | L | | 28 16 181-01 | J | |
| 50 14 527-01 | H | | 50 15 276-01 | H | | 28 16 191-01 | A | |
| 50 14 585-01 | H | | 50 15 277-01 | D, M | | 28 25 377-07 | H | |
| 50 14 616-01 | A, F, H | | 50 15 278-01 | H | | 28 40 225-01 | G | |
| 50 14 624-01 | H | | 50 15 279-01 | H | | 28 80 147-01 | A | |
| 50 14 766-01 | L | | 50 15 281-01 | H | | 28 80 455-01 | A | |
| 50 14 807-01 | A | | 50 15 282-01 | L | | 28 81 311-02 | G | |
| 50 14 809-01 | A | | 50 15 284-01 | C | | 28 81 323-02 | E | |
| 50 14 827-01 | A | | 50 15 286-01 | E | | 28 95 190-01 | G | |
| 50 14 855-01 | J | | 50 15 287-01 | M | | 28 95 220-01 | A | |
| 50 14 856-01 | J | | 50 15 288-01 | E | | 29 01 230-01 | C | |
| 50 14 978-01 | L | | 50 15 289-01 | H | | 29 31 195-04 | C | |
| 50 15 102-01 | H | | 50 15 295-02 | K | | 29 65 259-60 | G | |
| 50 15 105-01 | H | ★ | 50 15 302-01 | L | | 29 70 465-02 | G,L | |
| 50 15 106-01 | H | | 50 15 304-01 | F | | 29 95 155-01 | G | |
| 50 15 107-01 | C | | 50 15 305-01 | E | | 29 95 271-01 | G | |
| 50 15 109-02 | C | | 50 15 311-01 | H | | 29 95 271-06 | G | |

★ = 501 52 26-01

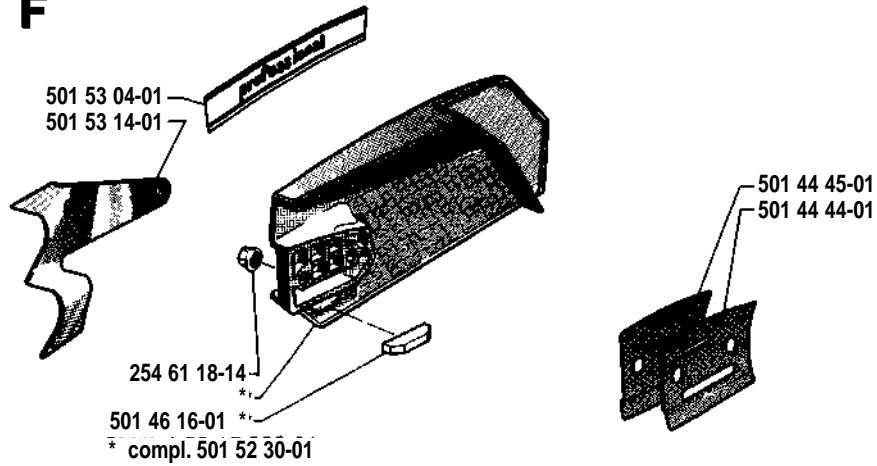
Packningssats
Set of gaskets
Dichtungssatz
Jeu de joints

A

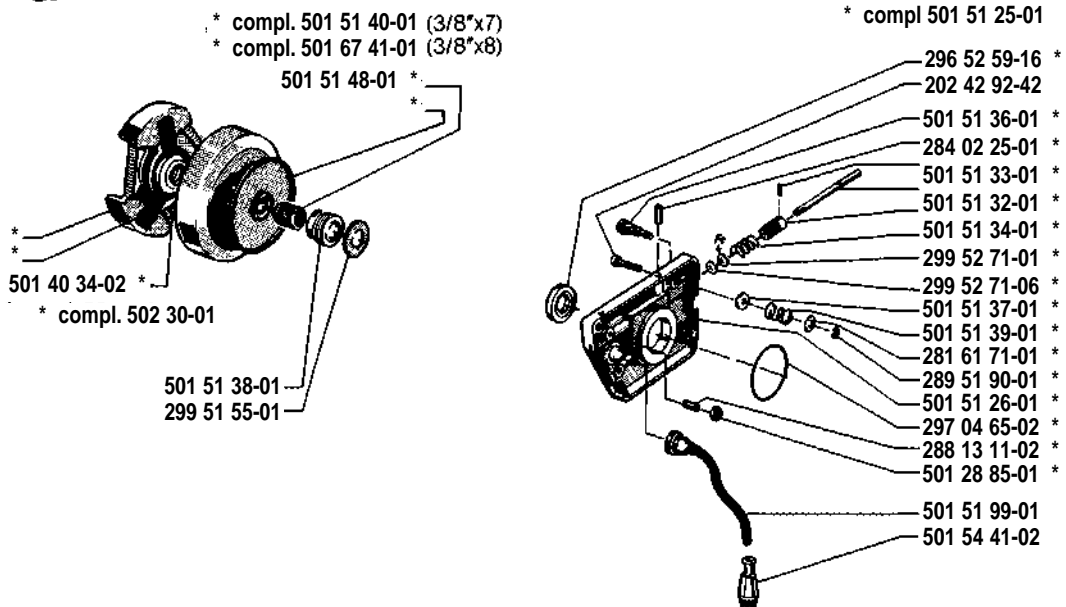
** compl. 501 52 09-01



F

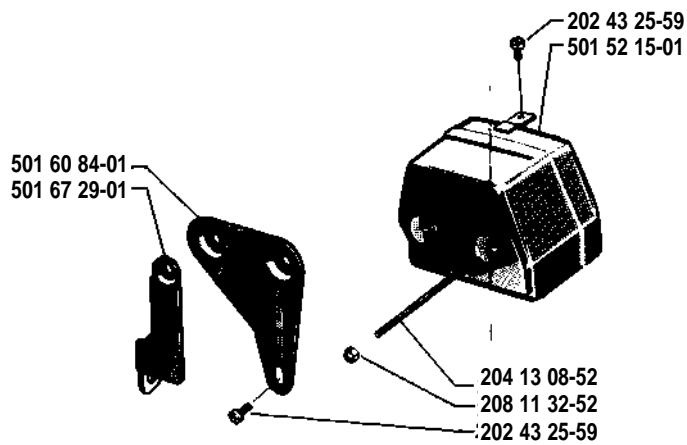
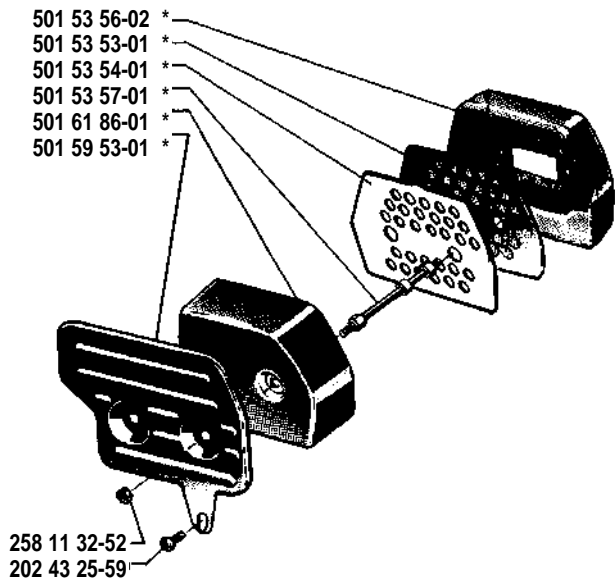


G

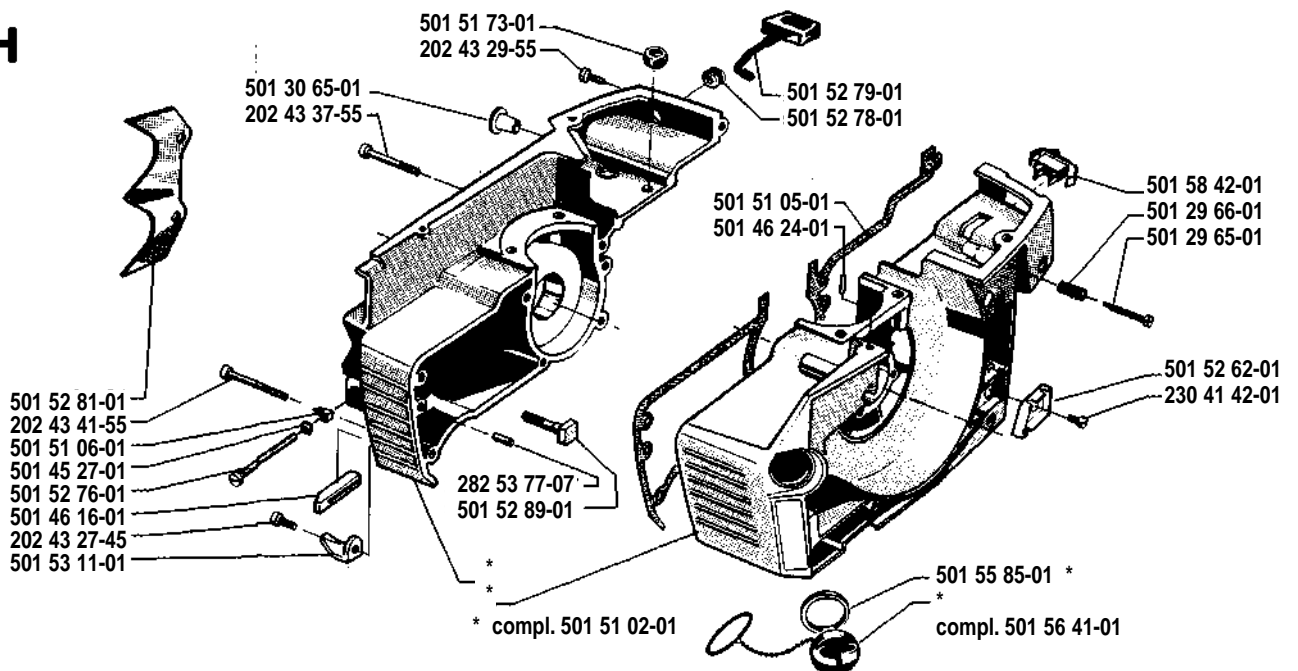


B

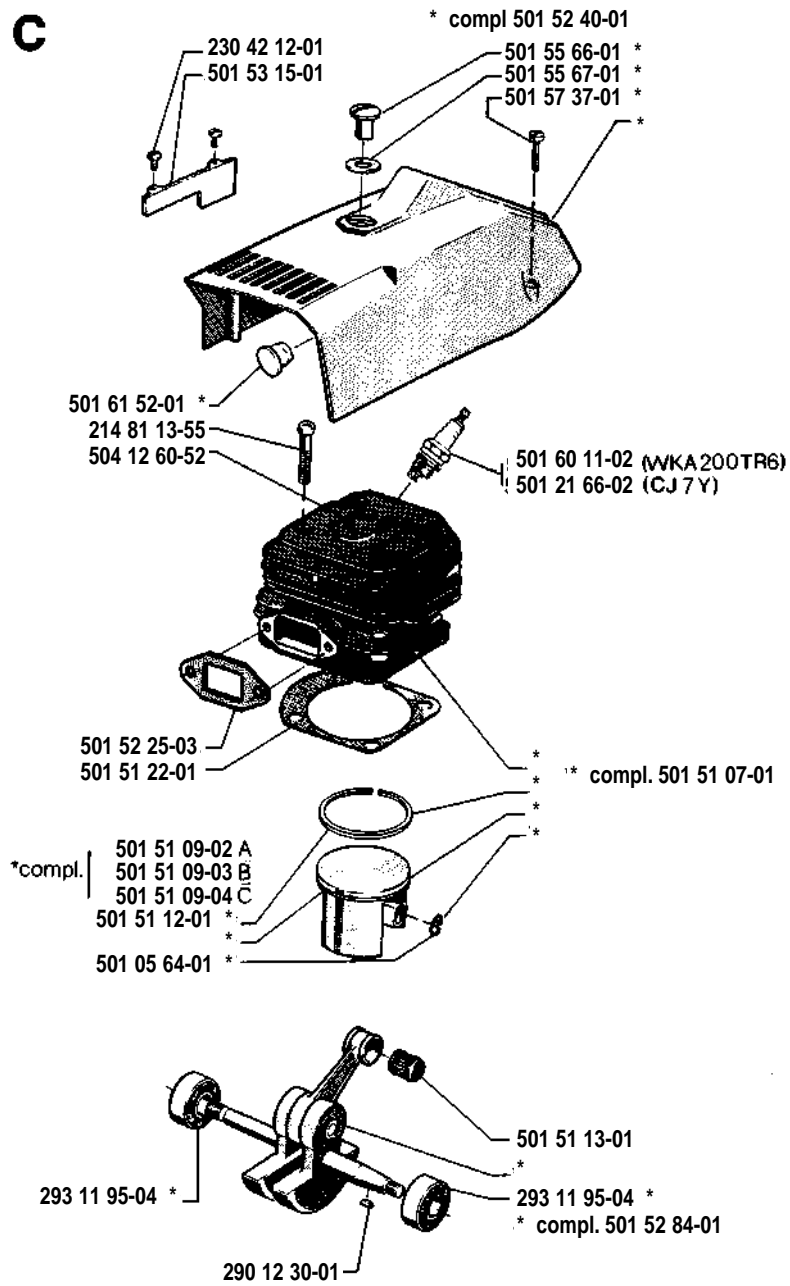
* compl. 501 52 15-05



H



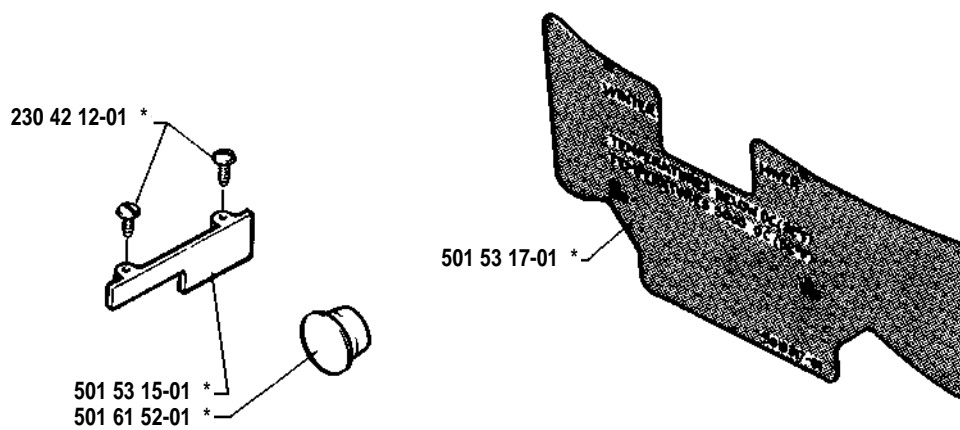
C



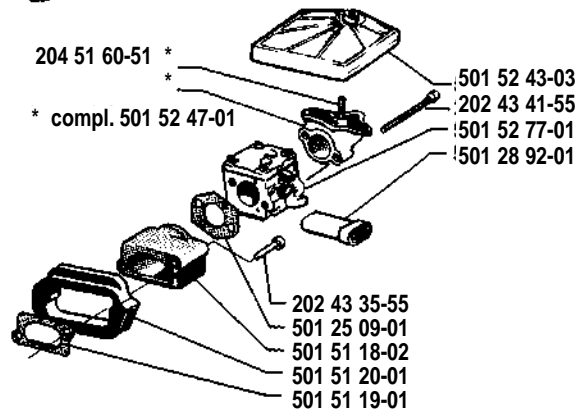
N

* compl. 501 53 19-01

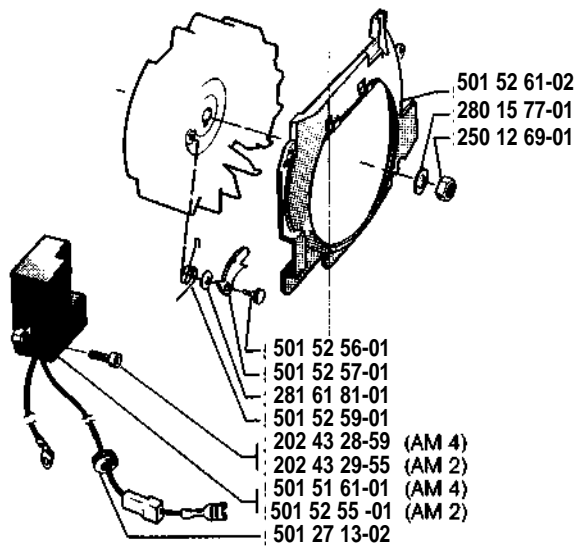
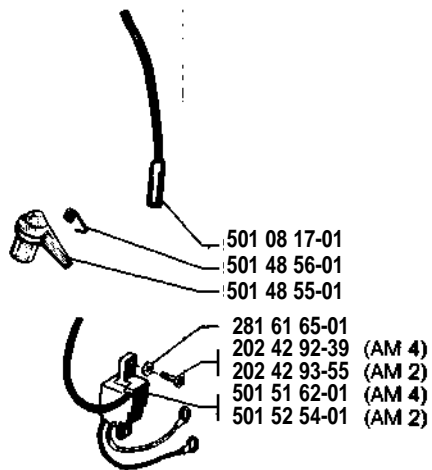
**Winter
Hiver**



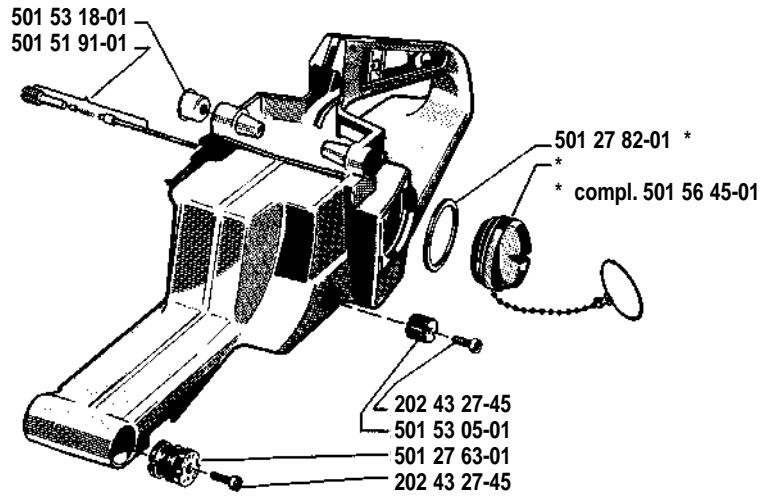
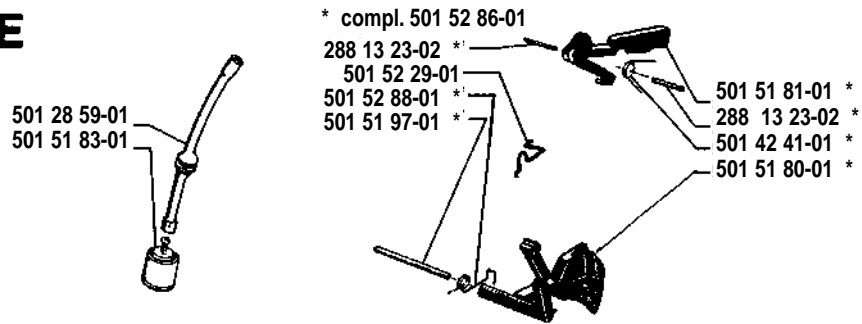
D



J

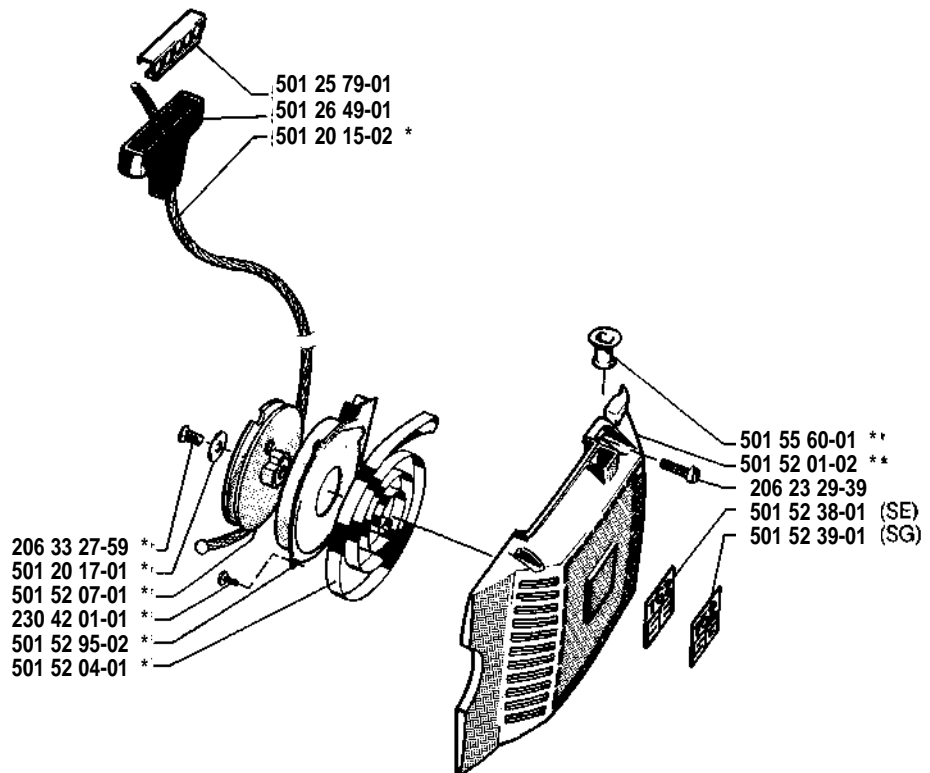


E

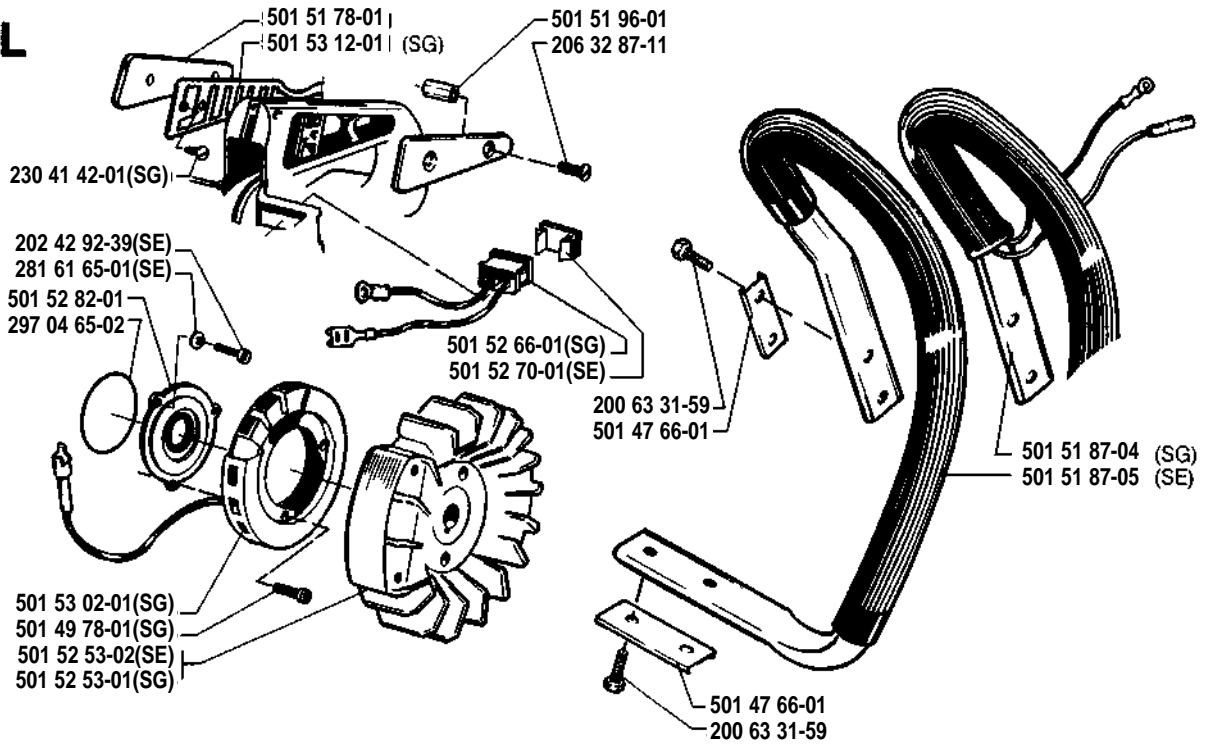


K

* compl. 501 52 00-02



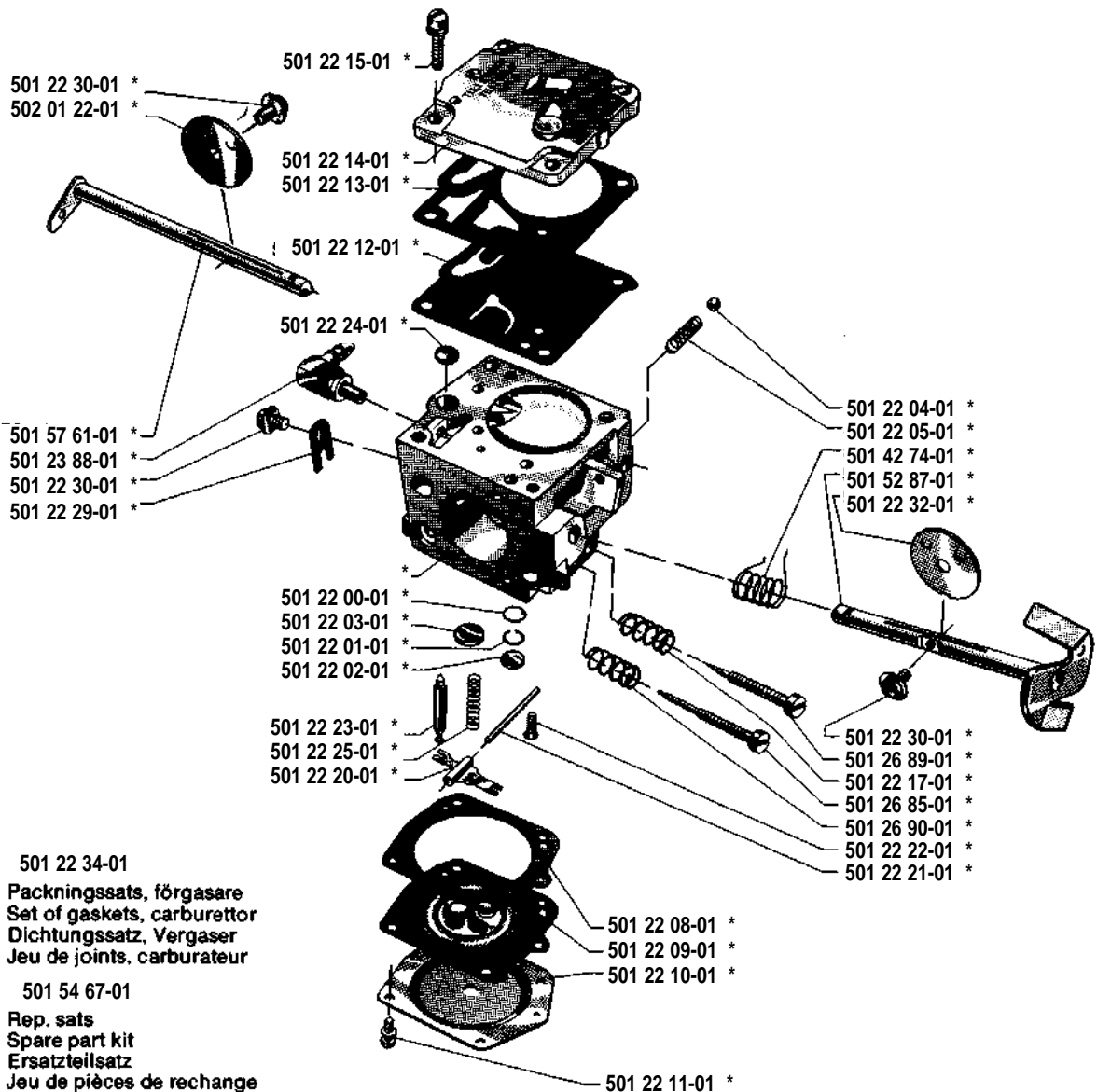
L



M

* compl. 501 52 77-01

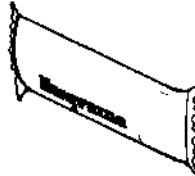
Tillotson HS 163 A



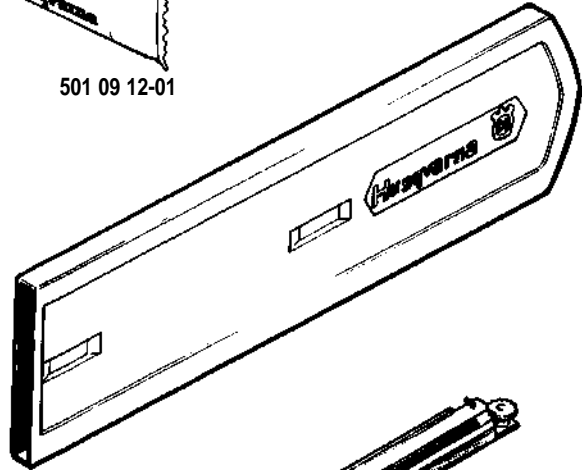
501 22 34-01
Packningssats, förgasare
Set of gaskets, carburettor
Dichtungssatz, Vergaser
Jeu de joints, carburateur

501 54 67-01
Rep. sats
Spare part kit
Ersatzteilsatz
Jeu de pièces de rechange

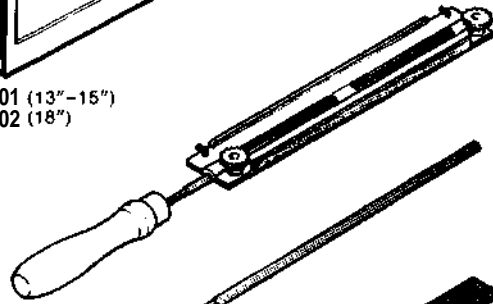
0



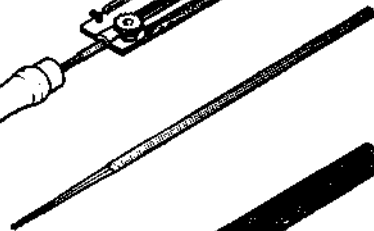
501 09 12-01



501 44 24-01 (13"-15")
501 44 24-02 (18")



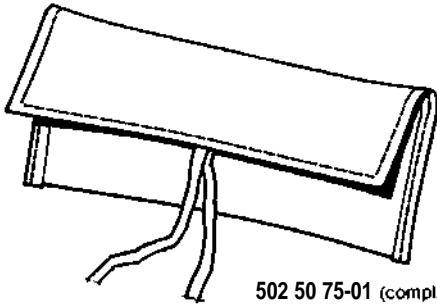
501 58 02-01



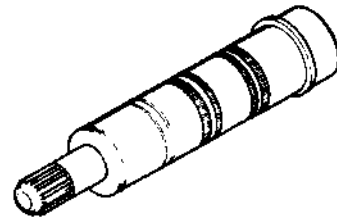
501 07 21-01 (7/32"x8")



501 07 20-01 (6")



502 50 75-01 (compl.)



501 09 13-01